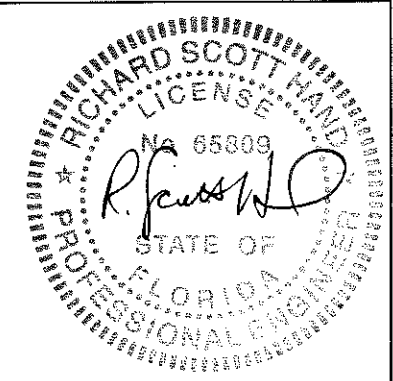


REVISIONS			
REV	DESCRIPTION	DATE	APPROVED
X03	RELEASE FOR CERTIFICATION	3/3/07	RSH

NOTES:

- CODE COMPLIANCE:** THIS PRODUCT HAS BEEN TESTED AND EVALUATED AS AN IMPACT RESISTANT COVERING IN ACCORDANCE WITH THE 2004 FLORIDA BUILDING CODE, IBC/IRC 2006 WITHIN THE DESIGNED PRESSURES AND LIMITATIONS STATED IN THIS DRAWING. PRODUCT APPROVAL IS ONLY VALID WHEN INSTALLED IN STRICT ACCORDANCE WITH THE MANUFACTURE'S INSTRUCTIONS.
- TEST REPORTS:** THIS PRODUCT MEETS OR EXCEEDS REQUIREMENTS PER ASTM E 1886 AND ASTM E 1996 (MISSILE LEVEL D) AND TAS 202, REFERENCE HETI TEST REPORTS No. 06-T652, 06-4101, 06-4101, 06-4102, 06-4103, 06-4104, 06-4105, 06-4106.
- DESIGN PRESSURE CALCULATIONS:** POSITIVE AND NEGATIVE DESIGN PRESSURES USED TO DETERMINE RECOMMENDED FASTENER SPACING SHALL BE DETERMINED BY OTHERS USING SITE SPECIFIC DESIGN PARAMETERS INCLUDING, BUT NOT LIMITED TO WINDSPEED EVENT, ARCHITECTURE, EXPOSURE CATEGORY, AND IMPORTANCE FACTOR.
- SITE VERIFICATION:** IT SHALL BE THE RESPONSIBILITY OF THE CONTRACTOR, ARCHITECT OR ENGINEER OF RECORD TO VERIFY THE FOLLOW:
 - A. THE STRUCTURAL MEMBERS THAT THIS PRODUCT IS TO BE ATTACHED ARE STABLE AND OF THE QUALITY CALLED ON OUT THIS DRAWING.
 - B. THE SITE SPECIFIC DESIGN PARAMETERS FOR USE OF THIS PRODUCT ARE ACCURATE FOR THE GIVEN APPLICATION OF THE PRODUCT.
 - C. DEVIATIONS DUE TO LOCAL CODE REQUIREMENTS OR STATE CODE REVISIONS ARE CONSISTENT WITH THIS DRAWING.
- MATERIAL SPECIFICATIONS:** FABRIC, THREAD AND BELTING MATERIAL IS PROPRIETARY. MATERIAL QUALITY SPECIFICATIONS ARE CERTIFIED AND MONITORED PER FBC REQUIREMENTS. ALL FASTENERS AND HARDWARE USED WITH THIS PRODUCT SHALL BE ZINC COATED, GALVANIZED, OR OF STAINLESS STEEL MATERIAL HAVING A MINIMUM TENSILE STRENGTH OF 60 KSI. ALL ALUMINUM SHAPES SHALL BE MADE OF 6063-T5 OR 6005-T5 GRADE MATERIAL.
- OPENING PROTECTION:** THIS PRODUCT IS CONSIDERED NON-POROUS PER ASTM E1996. AS SUCH, NO SEPARATION FROM GLAZING IS REQUIRED. BREAKAGE OR ABSENCE OF GLAZING IN AN OPENING PROPERLY COVERED WITH THIS PRODUCT DOES NOT COMPROMISE THE BUILDING ENVELOPE. THIS PRODUCT IS APPROVED FOR USE IN ALL AREAS OUTSIDE THE HVHZ INCLUDING ZONES 1,2,3, AND 4.
- LABELING:** THIS PRODUCT SHALL BE PERMANENTLY LABELED WITH THE FOLLOWING INFORMATION:

WAYNE-DALTON CORP.
DRAWING NO. EX07079
FLORIDA STATEWIDE APPROVAL NO.

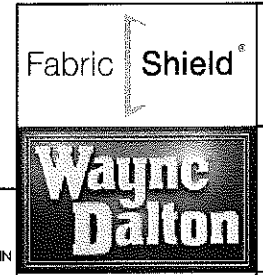


Richard Scott Hand
FL LICENSE NO 65809
DATE: 02-26-2007

FABRIC-SHIELD PULL DOWN SHUTTER

**DESIGN PRESSURE RATING
SIZE DEPENDENT
SEE SHEET 3**

**LARGE MISSILE IMPACT
RESISTANT**



**FABRIC-SHIELD™
PULL-DOWN SHUTTER**

WAYNE-DALTON CORP.
3395 ADDISON DRIVE
PENSACOLA, FL 32514
www.wayne-dalton.com

PROPRIETARY AND CONFIDENTIAL
THE INFORMATION CONTAINED IN THIS DRAWING IS THE SOLE PROPERTY OF WAYNE-DALTON. ANY REPRODUCTION IN PART OR AS A WHOLE WITHOUT THE WRITTEN PERMISSION OF WAYNE-DALTON IS PROHIBITED.

SCALE: 1:10

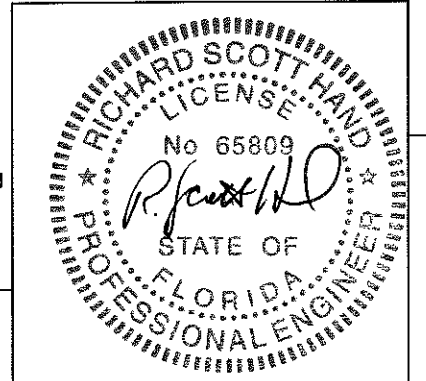
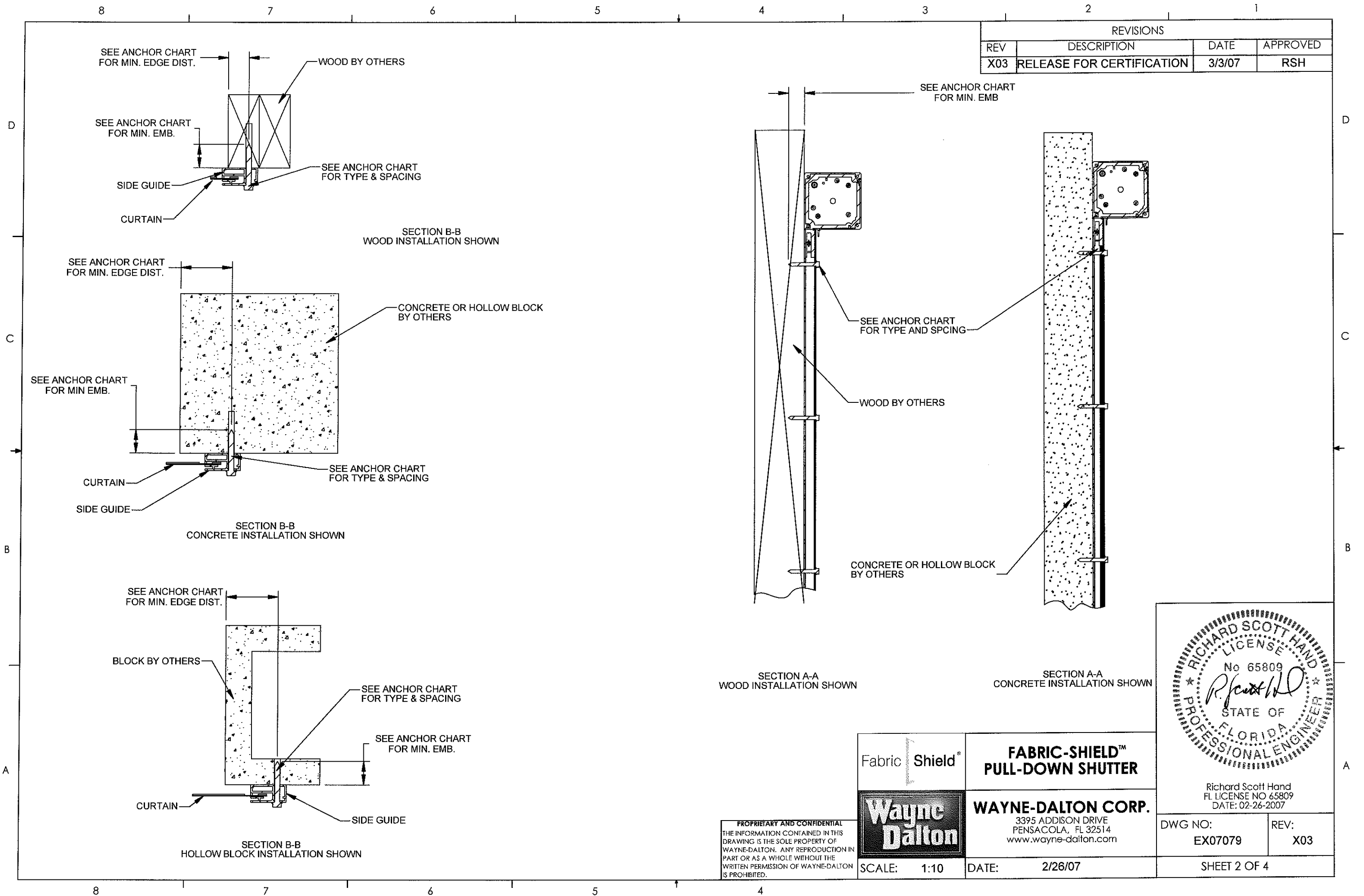
DATE: 2/26/07

DWG NO:
EX07079

REV:
X03

SHEET 1 OF 4

REVISIONS			
REV	DESCRIPTION	DATE	APPROVED
X03	RELEASE FOR CERTIFICATION	3/3/07	RSH



Richard Scott Hand
 FL LICENSE NO 65809
 DATE: 02-26-2007

DWG NO: EX07079	REV: X03
--------------------	-------------

SHEET 2 OF 4

	FABRIC-SHIELD™ PULL-DOWN SHUTTER
WAYNE-DALTON CORP. 3395 ADDISON DRIVE PENSACOLA, FL 32514 www.wayne-dalton.com	
SCALE: 1:10	DATE: 2/26/07

PROPRIETARY AND CONFIDENTIAL
 THE INFORMATION CONTAINED IN THIS DRAWING IS THE SOLE PROPERTY OF WAYNE-DALTON. ANY REPRODUCTION IN PART OR AS A WHOLE WITHOUT THE WRITTEN PERMISSION OF WAYNE-DALTON IS PROHIBITED.

ANCHOR SCHEDULE

REVISIONS			
REV	DESCRIPTION	DATE	APPROVED
X03	RELEASE FOR CERTIFICATION	3/3/07	RSH

ANCHOR NOTES:

1. ALL ANCHORS USED TO INSTALL THIS PRODUCT SHALL BE IN ACCORDANCE WITH MANUFACTURERS' RECOMMENDATIONS.
2. HOST STRUCTURE MAY BE CONCRETE, HOLLOW BLOCK, OR WOOD AS DESCRIBED IN THESE NOTES AND IN ACCORDANCE WITH THE ANCHOR SPACING SCHEDULES.
3. MINIMUM EMBEDMENT SHALL BE AS NOTED UNDER EACH ANCHOR. MINIMUM EMBEDMENT SHALL BE AS NOTED IN THE ANCHOR SCHEDULE OR PER MANUFACTURER'S RECOMMENDATIONS. MINIMUM EMBEDMENT AND EDGE DISTANCE EXCLUDES STUCCO, FOAM, BRICK, AND OTHER NON-STRUCTURAL EXTERIOR WALL FINISHES.
4. FIELD CONDITIONS VARY. CONTRACTOR IS RESPONSIBLE TO SEE THAT ANCHORING STRUCTURE ARE ADEQUATE PER THE ANCHOR SCHEDULE.
5. WOOD STUD MATERIAL SHALL BE OF "DOUGLAS FIR" OR "SOUTHERN PINE" G=0.53 OR GREATER DENSITY.
6. NO 33.3% INCREASE IN ALLOWABLE LOADS HAVE BEEN USED IN THE DESIGN OF THE ANCHORS OF THIS PRODUCT APPROVAL. A WIND LOAD DURATION FACTOR, Cd, OF 1.6 HAS BEEN USED FOR WOOD LAG SCREW DESIGN CALCULATIONS.



2 1/2" MINIMUM EDGE DISTANCE					
Substrate	Anchor Type	Load PSF	Up to Width 3'-4"	Up to Width 5'-6"	Up to Width 7'-1/2"
Concrete	1/4" ELCO TAPCON WITH 1-3/4" EMBEDMENT (3320 psi MIN CONC)	35	11.00	11.00	11.00
		40	11.00	11.00	10.00
		45	11.00	11.00	9.00
		50	11.00	11.00	9.00
		55	11.00	10.00	8.00
		60	11.00	10.00	8.00
		66	11.00	9.00	7.00
		70	11.00	9.00	
		80	11.00	8.00	
		90	11.00	7.00	
		91	11.00	7.00	
		100	10.00		
		110	10.00		
		120	9.00		
128	9.00				
Concrete	5/16" ELCO TAPCON WITH 1-3/4" EMBEDMENT (3513 psi MIN CONC)	35	11.00	11.00	11.00
		40	11.00	11.00	11.00
		45	11.00	11.00	11.00
		50	11.00	11.00	11.00
		55	11.00	11.00	11.00
		60	11.00	11.00	11.00
		66	11.00	11.00	11.00
		70	11.00	11.00	
		80	11.00	11.00	
		90	11.00	11.00	
		91	11.00	11.00	
		100	11.00		
		110	11.00		
		120	11.00		
128	11.00				

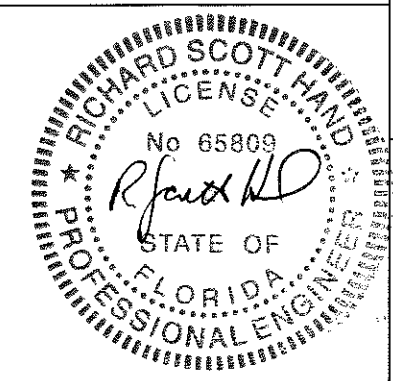
2 1/2" MINIMUM EDGE DISTANCE					
Substrate	Anchor Type	Load PSF	Up to Width 3'-4"	Up to Width 5'-6"	Up to Width 7'-1/2"
Hollow Block	1/4" ELCO TAPCON WITH 1-1/4" EMBEDMENT (2000 psi MIN)	35	11.00	11.00	8.00
		40	11.00	10.00	7.00
		45	11.00	9.00	7.00
		50	11.00	8.00	6.00
		55	11.00	7.00	6.00
		60	11.00	7.00	5.00
		66	11.00	6.00	5.00
		70	11.00	6.00	
		80	10.00	6.00	
		90	9.00	5.00	
		91	9.00	5.00	
		100	8.00		
		110	8.00		
		120	7.00		
128	7.00				
Hollow Block	5/16" ELCO TAPCON WITH 1-1/4" EMBEDMENT (2000 psi MIN)	35	11.00	11.00	8.00
		40	11.00	10.00	7.00
		45	11.00	9.00	7.00
		50	11.00	8.00	6.00
		55	11.00	8.00	6.00
		60	11.00	7.00	5.00
		66	11.00	7.00	5.00
		70	11.00	6.00	
		80	10.00	6.00	
		90	9.00	5.00	
		91	9.00	5.00	
		100	8.00		
		110	8.00		
		120	7.00		
128	7.00				

3/4" MINIMUM EDGE DISTANCE					
Substrate	Anchor Type	Load PSF	Up to Width 3'-4"	Up to Width 5'-6"	Up to Width 7'-1/2"
Wood	1/4" ELCO TAPCON OR #14 WOOD SCREW WITH 1-3/4" THREAD PENETRATION	35	11.00	10.00	7.00
		40	11.00	9.00	6.00
		45	11.00	8.00	6.00
		50	11.00	7.00	5.00
		55	11.00	7.00	5.00
		60	11.00	6.00	5.00
		66	11.00	6.00	4.00
		70	10.00	5.00	
		80	9.00	5.00	
		90	8.00	5.00	
		91	8.00	5.00	
		100	7.00		
		110	7.00		
		120	6.00		
128	6.00				

1 1/4" MINIMUM EDGE DISTANCE					
Substrate	Anchor Type	Load PSF	Up to Width 3'-4"	Up to Width 5'-6"	Up to Width 7'-1/2"
Wood	5/16" ELCO TAPCON OR LAG SCREW WITH 2-1/2" THREAD PENETRATION	35	11.00	11.00	11.00
		40	11.00	11.00	11.00
		45	11.00	11.00	11.00
		50	11.00	11.00	11.00
		55	11.00	11.00	11.00
		60	11.00	11.00	10.00
		66	11.00	11.00	9.00
		70	11.00	11.00	
		80	11.00	10.00	
		90	11.00	10.00	
		91	11.00	9.00	
		100	11.00		
		110	11.00		
		120	11.00		
128	11.00				

PROPRIETARY AND CONFIDENTIAL
 THE INFORMATION CONTAINED IN THIS DRAWING IS THE SOLE PROPERTY OF WAYNE-DALTON. ANY REPRODUCTION IN PART OR AS A WHOLE WITHOUT THE WRITTEN PERMISSION OF WAYNE-DALTON IS PROHIBITED.

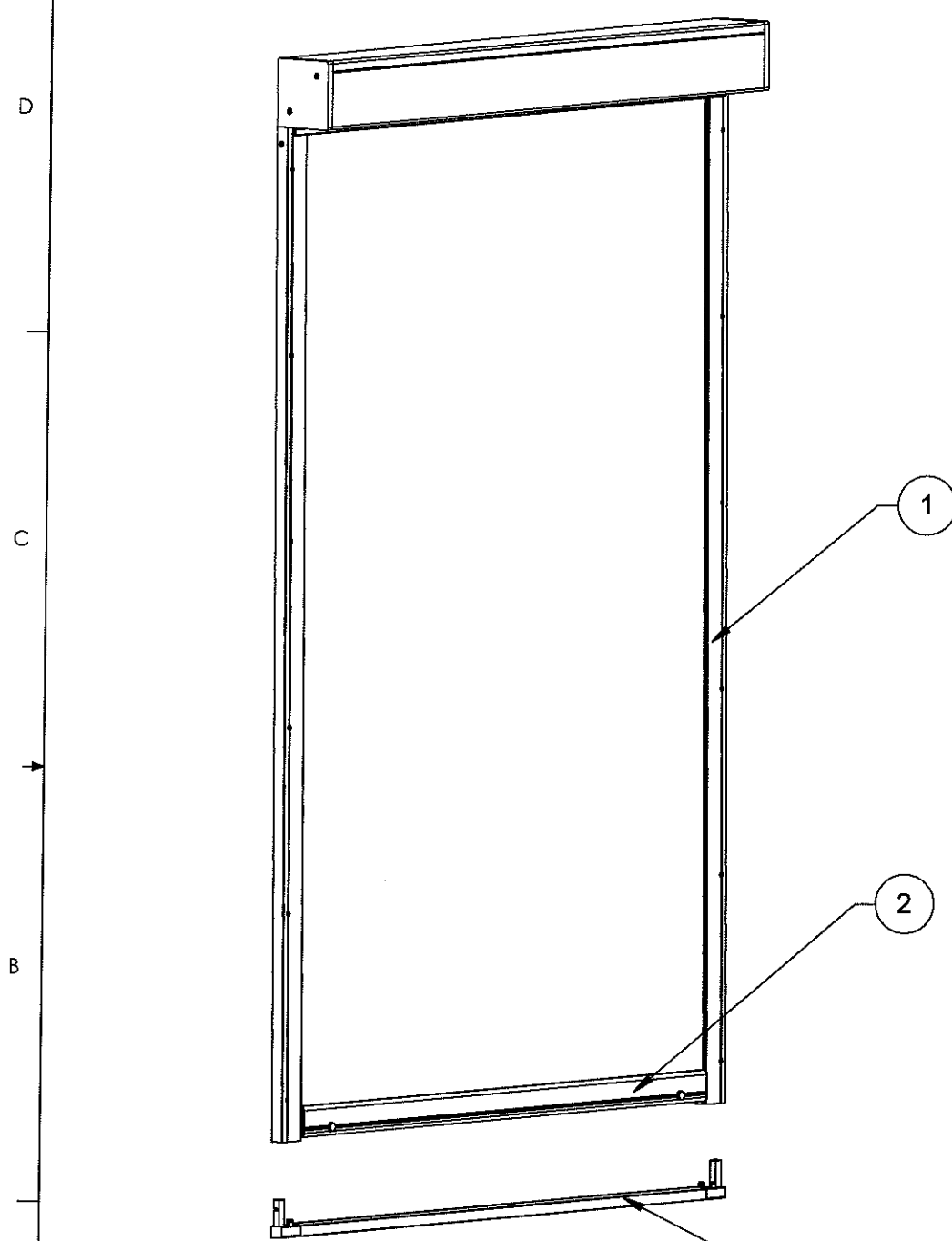
	FABRIC-SHIELD™ PULL-DOWN SHUTTER
	
WAYNE-DALTON CORP. 3395 ADDISON DRIVE PENSACOLA, FL 32514 www.wayne-dalton.com	
SCALE: 1:10	DATE: 2/26/07



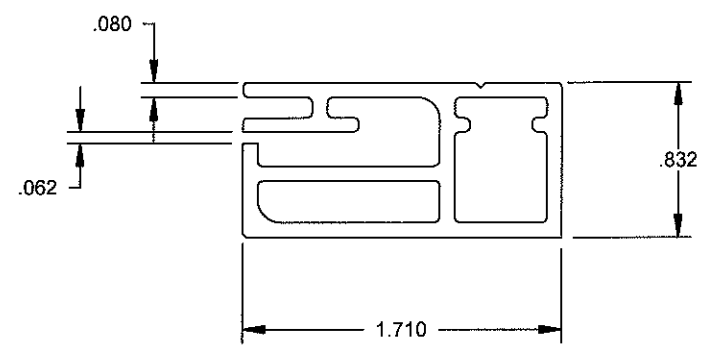
Richard Scott Hand FL LICENSE NO 65809 DATE: 02-26-2007	
DWG NO: EX07079	REV: X03
SHEET 3 OF 4	

8 7 6 5 4 3 2 1

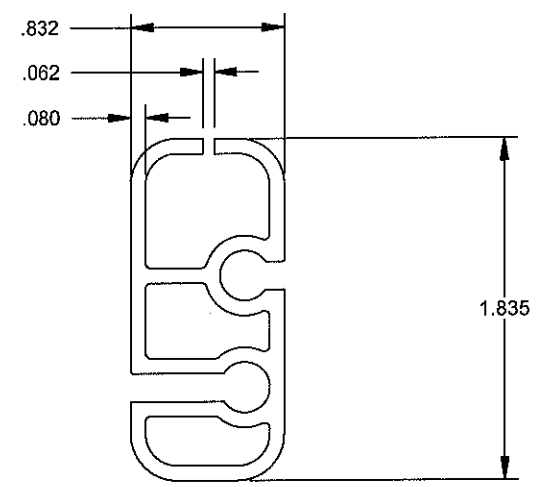
REVISIONS			
REV	DESCRIPTION	DATE	APPROVED
X03	RELEASE FOR CERTIFICATION	3/3/07	RSH



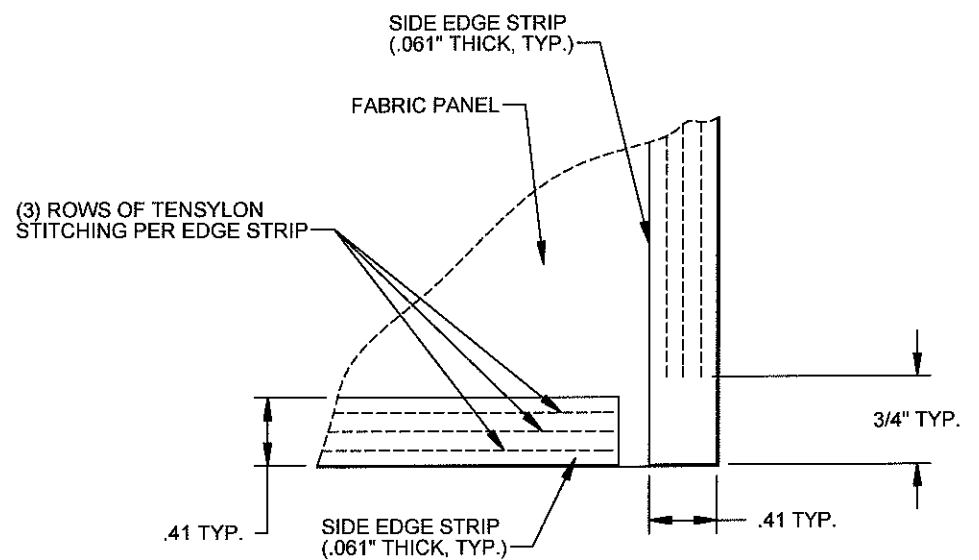
SILL WITH CORNER KEYS ARE NOT STRUCTURAL PARTS FOR OPTIONAL APPLICATION



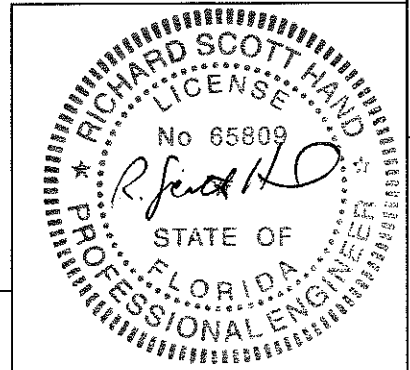
1 SIDE GUIDE ALUMINUM



2 CURTAIN BAR ALUMINUM



FABRIC EDGE CONSTRUCTION INTERIOR ELEVATION



Richard Scott Hand
FL LICENSE NO 65809
DATE: 02-26-2007

	FABRIC-SHIELD™ PULL-DOWN SHUTTER
WAYNE-DALTON CORP. 3395 ADDISON DRIVE PENSACOLA, FL 32514 www.wayne-dalton.com	

PROPRIETARY AND CONFIDENTIAL
 THE INFORMATION CONTAINED IN THIS DRAWING IS THE SOLE PROPERTY OF WAYNE-DALTON. ANY REPRODUCTION IN PART OR AS A WHOLE WITHOUT THE WRITTEN PERMISSION OF WAYNE-DALTON IS PROHIBITED.

SCALE: 1:10 DATE: 2/26/07

DWG NO: EX07079 REV: X03

SHEET 4 OF 4

8 7 6 5 4